
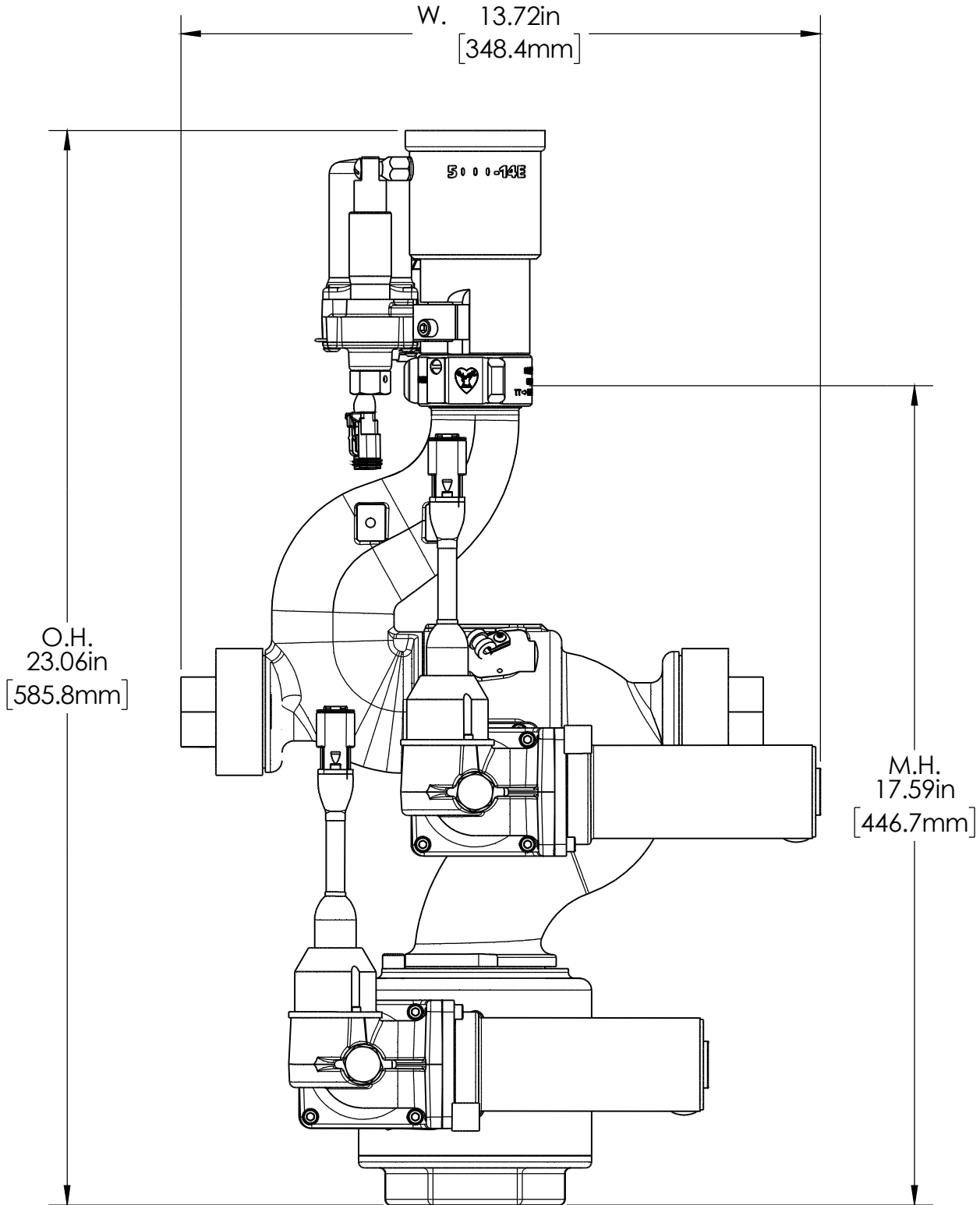

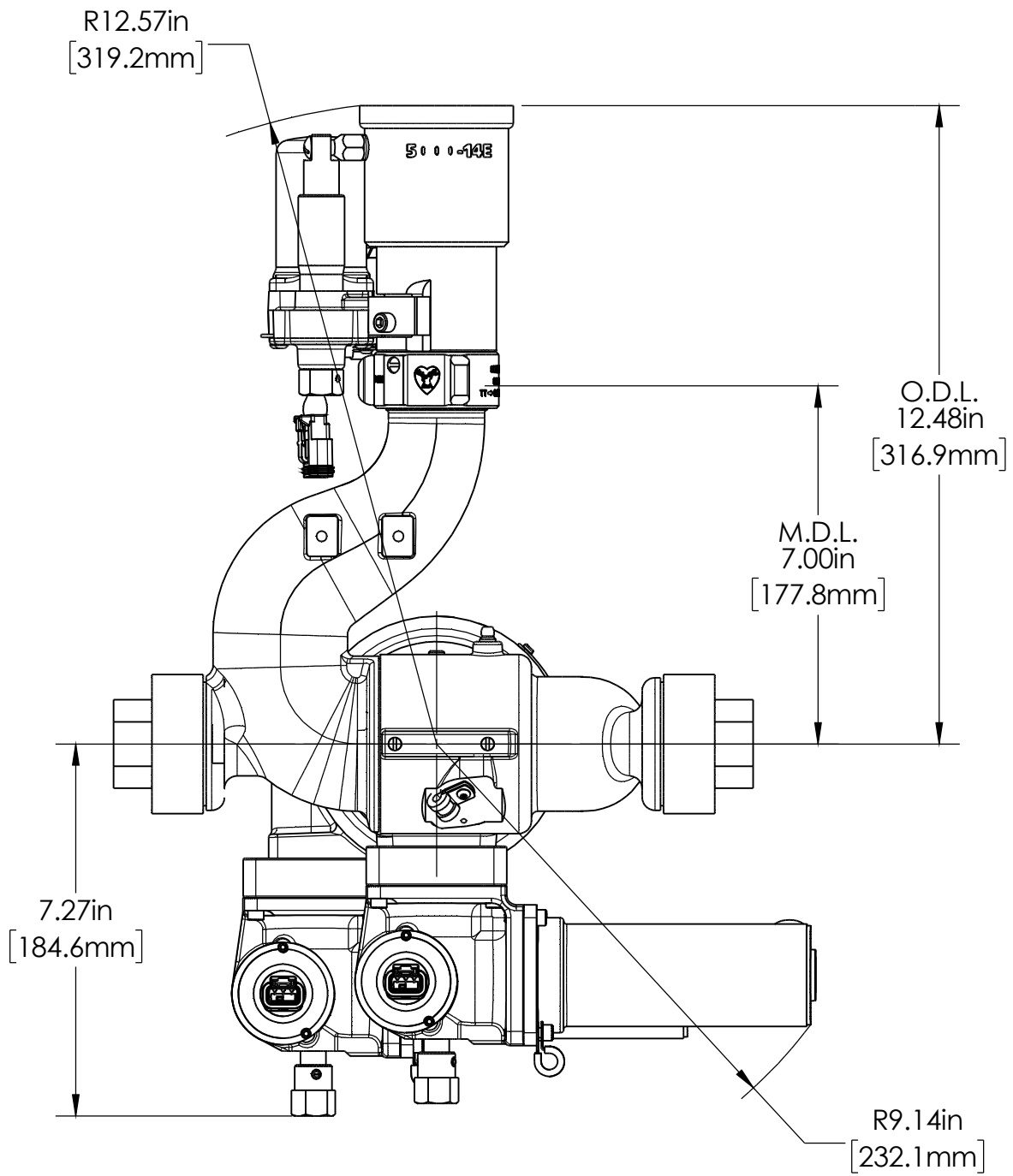


5000-143

 ELKHART BRASS Fire Fighting Equipment	
THIS DRAWING CONTAINS INFORMATION THAT IS PROPRIETARY TO ELKHART BRASS MFG CO., INC. AND MAY NOT BE USED TO PRODUCE ANY PARTS, ASSEMBLIES OR PRODUCTS DESCRIBED HEREIN WITHOUT EXPRESS WRITTEN PERMISSION	
7161X2 (02007161) DIM PAGE 1 OF 5 11/07/2019	BASE DIMENSIONAL



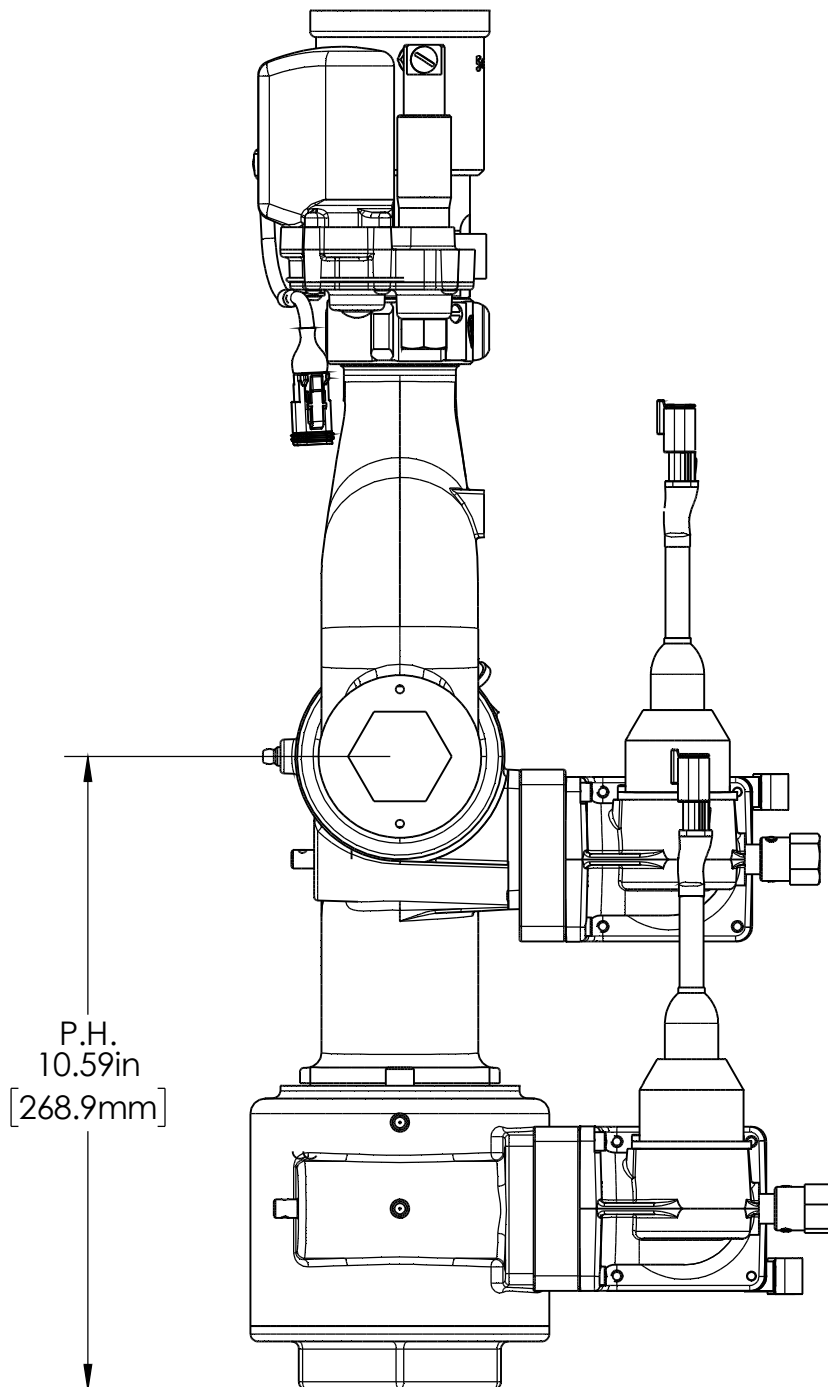
 ELKHART BRASS <small>Fire Fighting Equipment</small>	
<small>THIS DRAWING CONTAINS INFORMATION THAT IS PROPRIETARY TO ELKHART BRASS MFG CO., INC. AND MAY NOT BE USED TO PRODUCE ANY PARTS, ASSEMBLIES OR PRODUCTS DESCRIBED HEREIN WITHOUT EXPRESS WRITTEN PERMISSION</small>	
<small>7161X2 (02007161) DIM PAGE 2 OF 5 11/07/2019</small>	<small>BACK VIEW DIMENSIONAL</small>
<small>Ver. 1.0</small>	



THIS DRAWING CONTAINS INFORMATION THAT IS
 PROPRIETARY TO ELKHART BRASS MFG CO., INC.
 AND MAY NOT BE USED TO PRODUCE ANY PARTS,
 ASSEMBLIES OR PRODUCTS DESCRIBED HEREIN
 WITHOUT EXPRESS WRITTEN PERMISSION

7161X2 (02007161) DIM
 PAGE 3 OF 5
 11/07/2019

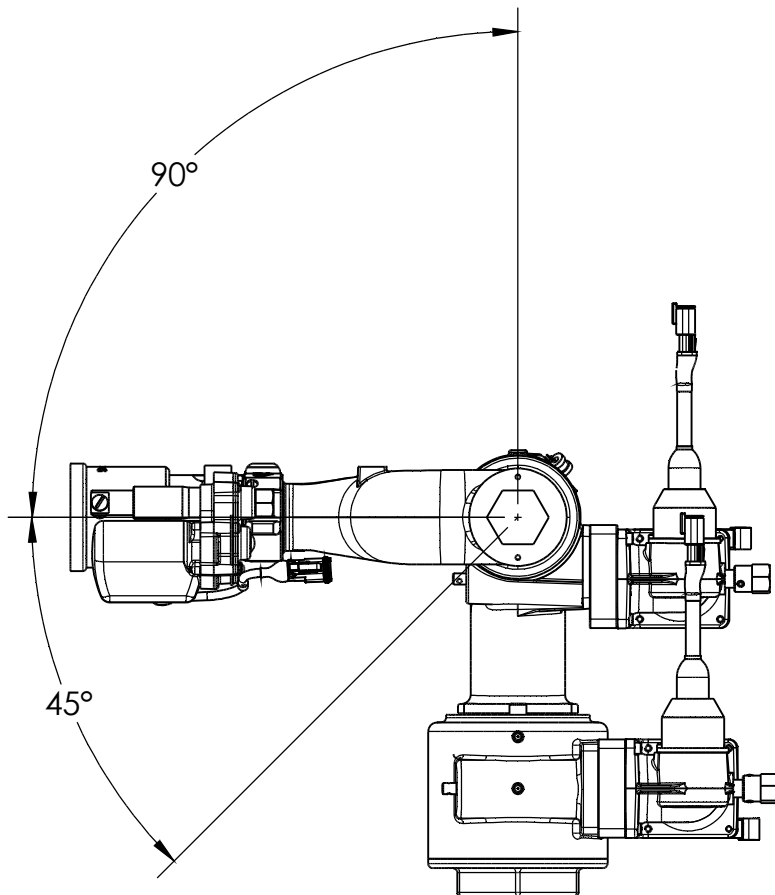
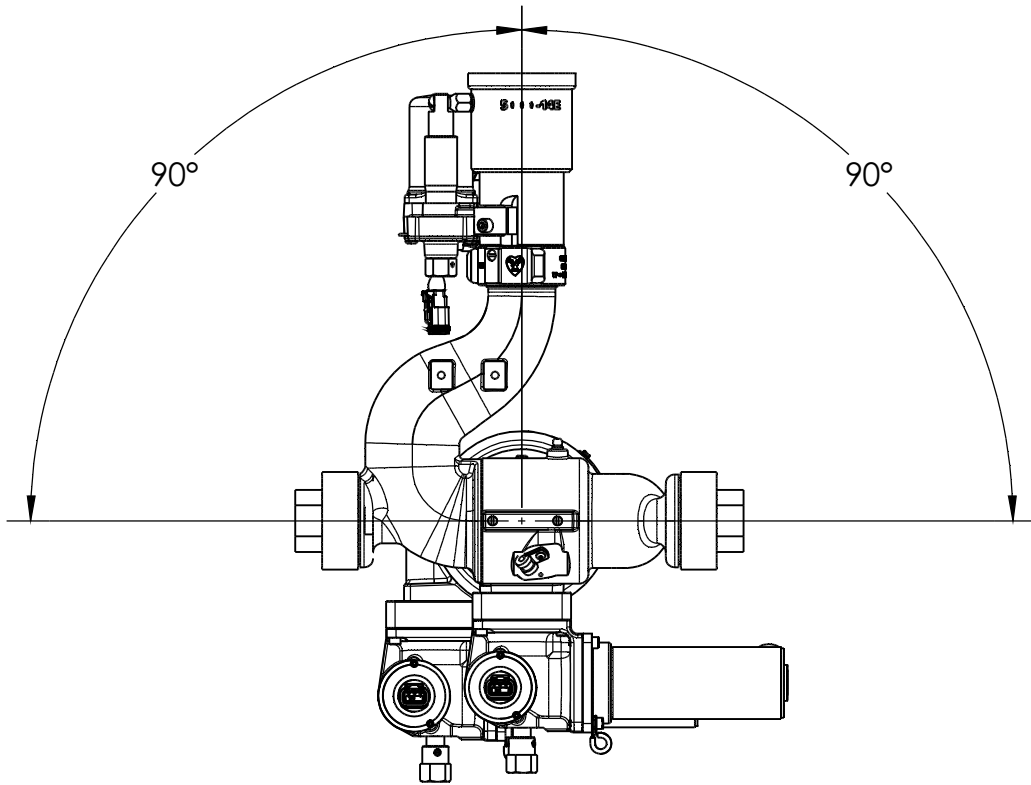
TOP VIEW
 DIMENSIONAL



THIS DRAWING CONTAINS INFORMATION THAT IS PROPRIETARY TO ELKHART BRASS MFG CO., INC. AND MAY NOT BE USED TO PRODUCE ANY PARTS, ASSEMBLIES OR PRODUCTS DESCRIBED HEREIN WITHOUT EXPRESS WRITTEN PERMISSION

7161X2 (02007161) DIM
PAGE 4 OF 5
11/07/2019

SIDE VIEW
DIMENSIONAL



 **ELKHART BRASS**
Fire Fighting Equipment

THIS DRAWING CONTAINS INFORMATION THAT IS
PROPRIETARY TO ELKHART BRASS MFG CO., INC.
AND MAY NOT BE USED TO PRODUCE ANY PARTS,
ASSEMBLIES OR PRODUCTS DESCRIBED HEREIN
WITHOUT EXPRESS WRITTEN PERMISSION

7161X2 (02007161) DIM
PAGE 5 OF 5
11/07/2019

RANGE OF
MOTION

Ver. 1.0